

**PLEASE
READ
COMPLETELY**

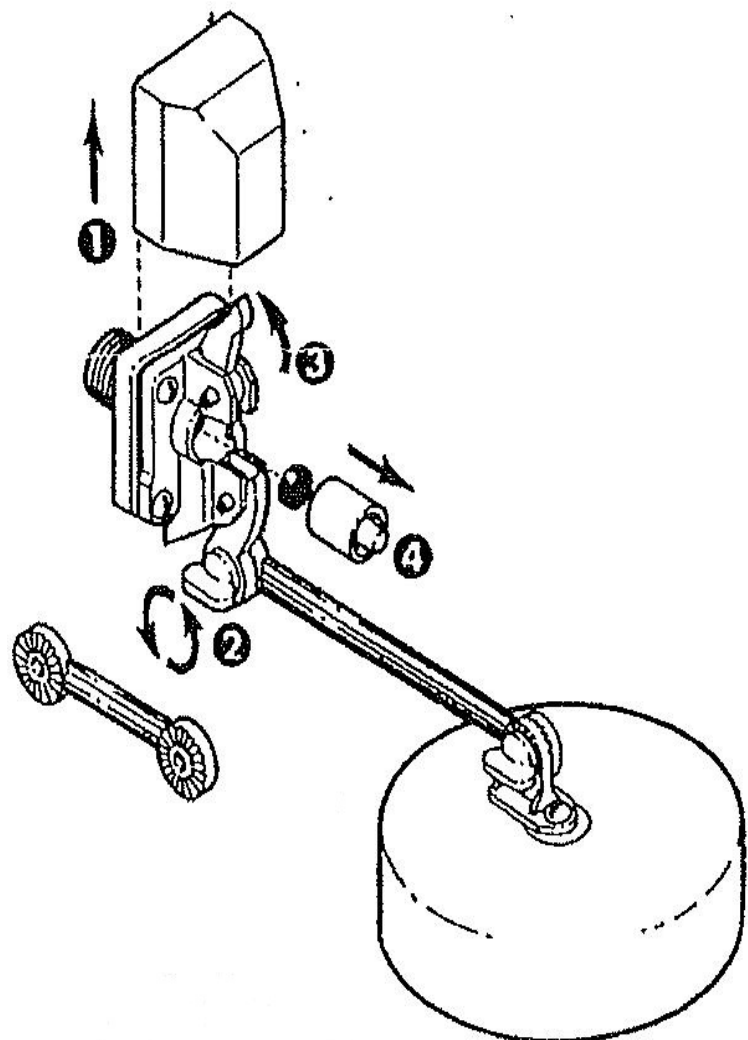
****SAVE**
For Future
Reference**

CAUTION: SHUT OFF WATER BEFORE REMOVING VALVE CAP

Your **Franklin Waterer** is now equipped with a new valve. This valve has been designed after years of experimentation and testing. By following these directions, you will be amazed at the simplicity and quality of this valve. Keep one point in mind - "No Tools Are Needed For Normal Disassembly and Service."

Before operating your waterer, remove the plunger and flush valve to remove any particles that may have entered lines during installation. Follow these steps to remove plunger. The drawing below will clarify parts and steps.

- 1) Lift Cap Off Valve -
Will Slide Off
Without Use Of Tools.
- 2) Loosen Wing Nut To
Allow Float To Drop.
(This Wing Nut Needs
Only Finger Tightening).
- 3) Raise Upper Arm.
- 4) Pull Plunger Straight Out.
- 5) Now FLUSH The Line To
Remove Particles.
- 6) Replace Plunger.
- 7) Re-adjust Wing Nut For
Proper Float Height.



**THIS UNIT AND HEAT TAPE MUST BE INSTALLED BY A QUALIFIED ELECTRICIAN AND
PROPERLY GROUNDED.**